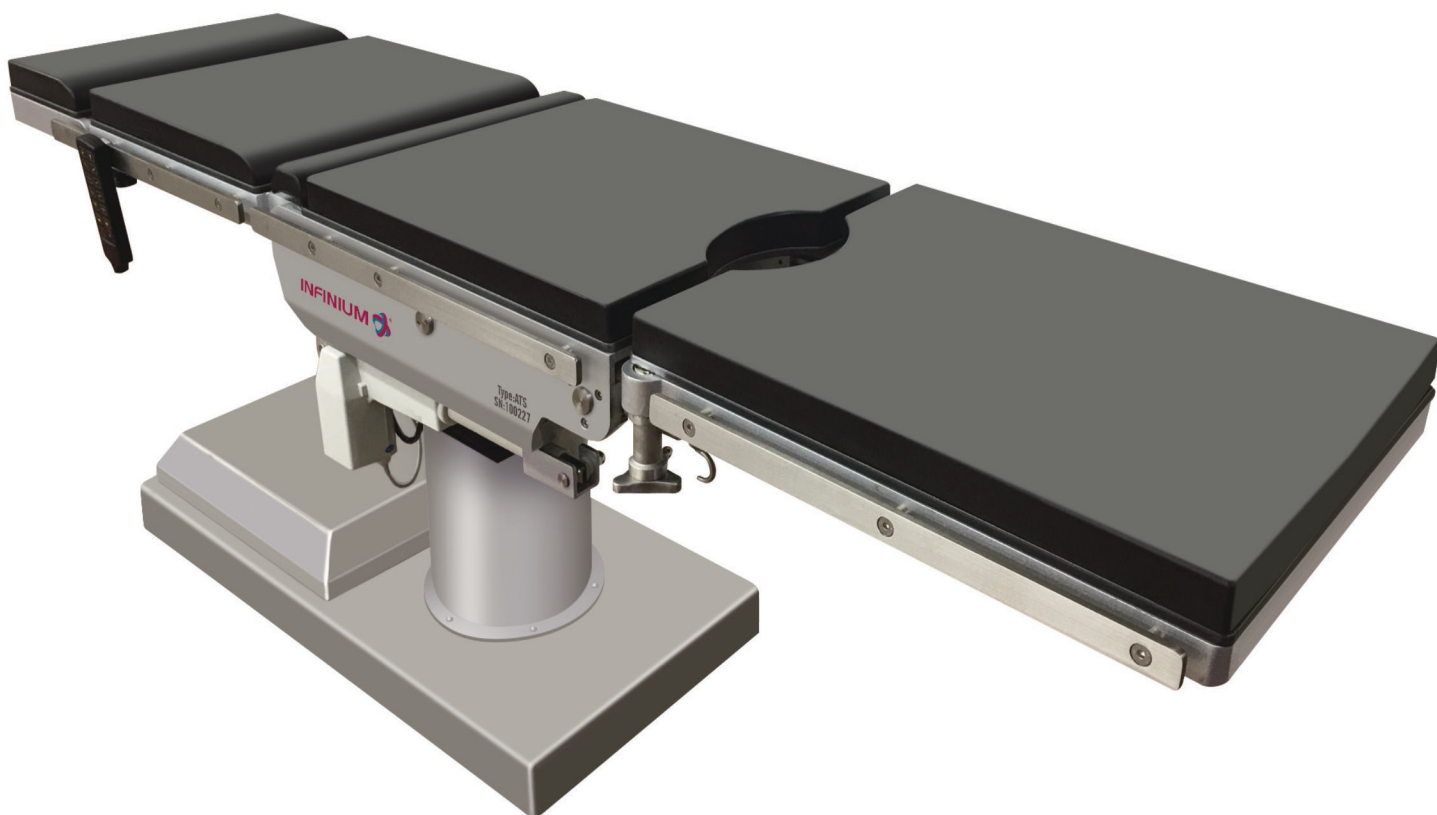


# ATS LATERIS<sup>®</sup>

SURGICAL TABLE



INTUITIVE MOTION  
UNYIELDING STABILITY

# ATS LATERIS<sup>®</sup>



## Intuitive Motion

Built to the foremost standard of quality, with intuition and stability in mind. The ATS Surgical table exceeds the standards in patient positioning. The ATS surgical table features a C-arm compatible table top with up to a 1000 lb lift capacity. The ATS is equipped with a 180 degree rotating tabletop to maximize patient imaging access. The horizontal movement feature maximizes efficiency in patient imaging. The ATS can also be adjusted to a low height of 740mm off the floor to allow the surgeon better access for seated procedures.

## Safety

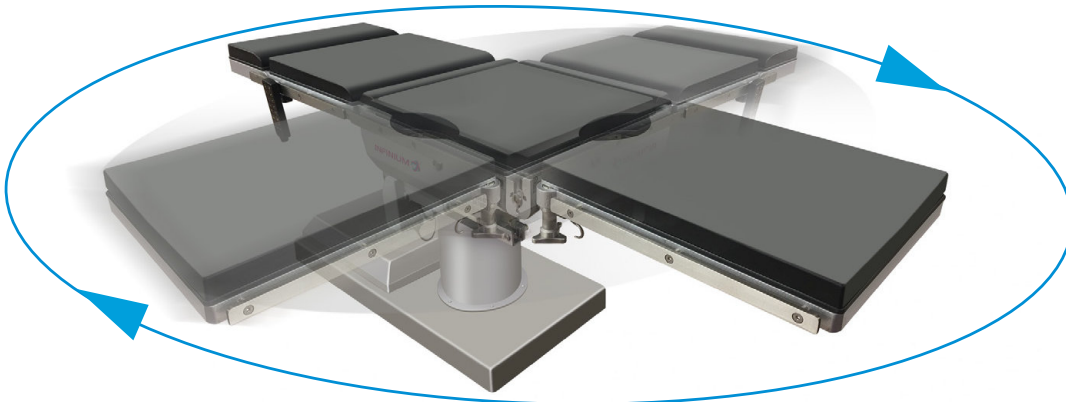
The ATS Surgical table is mobile with 4 anti-static castors. The floor lock system braces the table in place with unyielding stability. A battery backup system can continue to power the table for hours in case of a power failure. The hand controller is outfitted with safety locks to avoid unintentional table movement. Return to level can be done quickly and efficiently with the touch of a button.



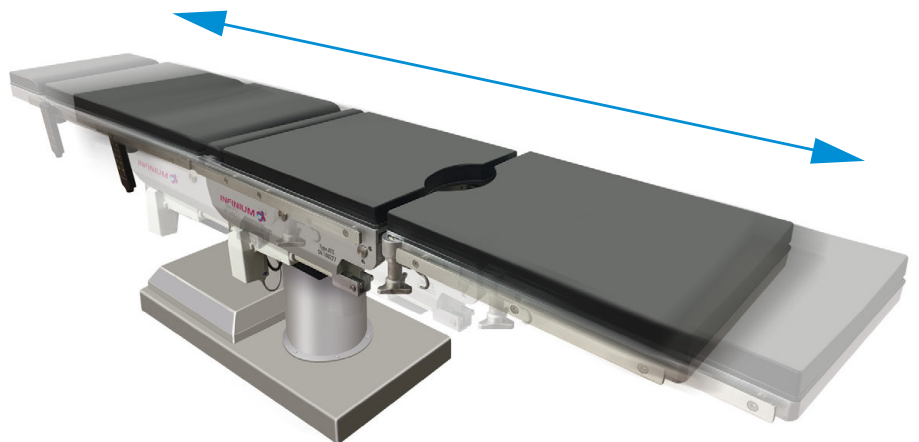
- Silent electro-hydraulic movements
- 500 LB Lift Capacity
- Electronic control with safety lock
- Mobile anti-static castors with floor lock
- Horizontal Slide for Imaging Applications
- 180 degree table top rotation
- Flex / Reflex positioning
- Easy access to electro-hydraulic system for service
- Optional battery backup
- Optional auto-reset / level function
- Optional 1000 LB lift Capacity

# Built To The Foremost Standard Of Quality

WITH INTUITION AND STABILITY IN MIND.



- 180 degree table top rotation for optimal surgical access.



- Lateral slide movement for optimal imaging access.



## Ergonomic Hand Control

- Easy Touch Positioning
- "E" Lock button to avoid accidental movement
- Floor lock / Unlock
- Optional Return to Level
- Optional Low Level Positioning

# ATS LATERIS® TECHNICAL SPECIFICATIONS:



▫ Trendelenburg



▫ Reverse Trendelenburg



▫ Flex / Reflex Positioning



▫ Back Up Positioning



▫ Lower Body Imaging



▫ Upper Body Imaging

|   |              |
|---|--------------|
| <b>Height</b>                                   | 740mm~1100mm |
| <b>Trendelenburg/<br/>Reverse Trendelenburg</b> | 30°          |
| <b>Tilt Left/Right Oblique</b>                  | 15°          |
| <b>Chest Plate Adjustment</b>                   | 25°/ 35°     |
| <b>Back Plate Adjustment</b>                    | +75°/ -20°   |
| <b>Head Plate Adjustment</b>                    | +20°/-90°    |

|                                |                 |
|--------------------------------|-----------------|
| <b>Leg Plate Adjustment</b>    | 90°             |
| <b>Leg Plate Angle</b>         | 0~ 90°          |
| <b>Rotation</b>                | 0~ 180°         |
| <b>Longitudinal Shift</b>      | 350mm           |
| <b>Wired Remote Control</b>    |                 |
| <b>Reset to Level Function</b> | <b>Optional</b> |
| <b>Emergency Power Supply</b>  | <b>Optional</b> |